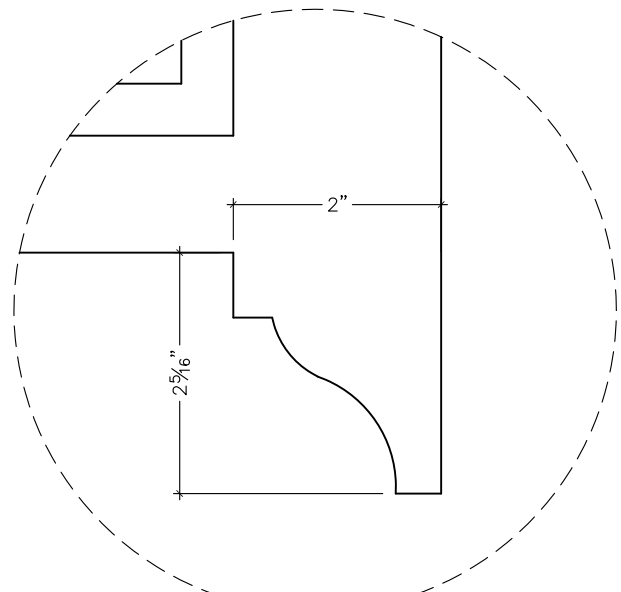
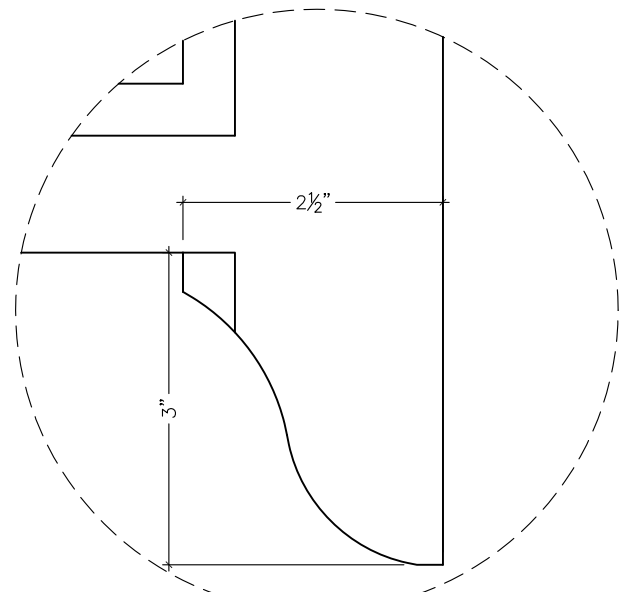


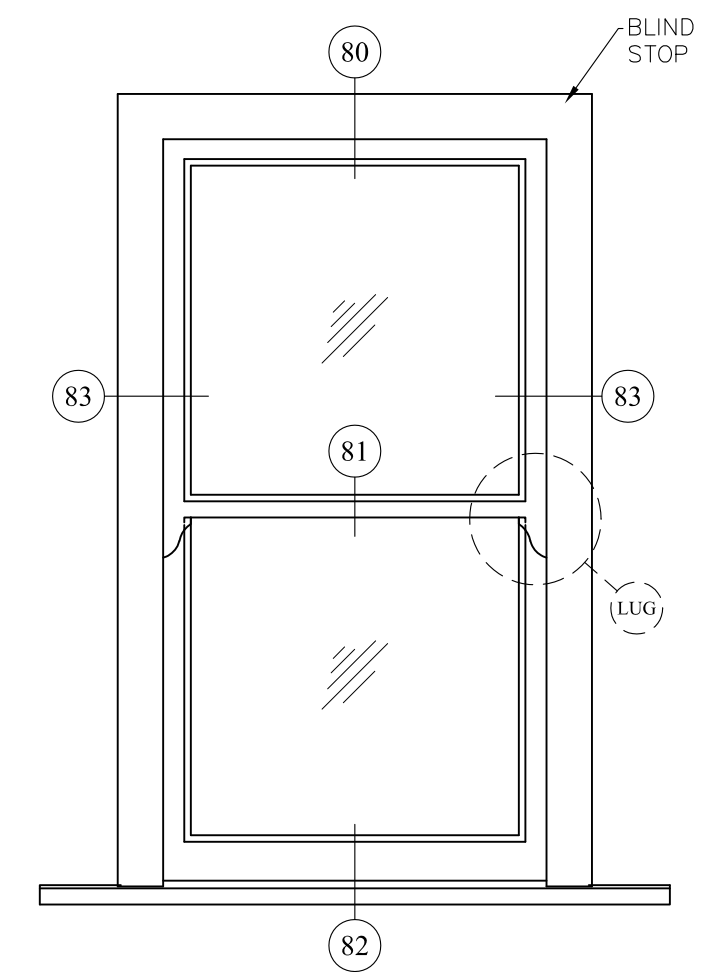
TOP SASH LUG OPTIONS



STANDARD OGEE

ROMAN OGEE

DOUBLE HUNG WINDOW WITH WEIGHT BALANCERS



EXTERIOR ELEVATION VIEW

WOODEN WINDOW

849 29th. Street, Oakland, CA 94608
 ph: 5108931157, fax: 5108343662
 www.woodenwindow.com