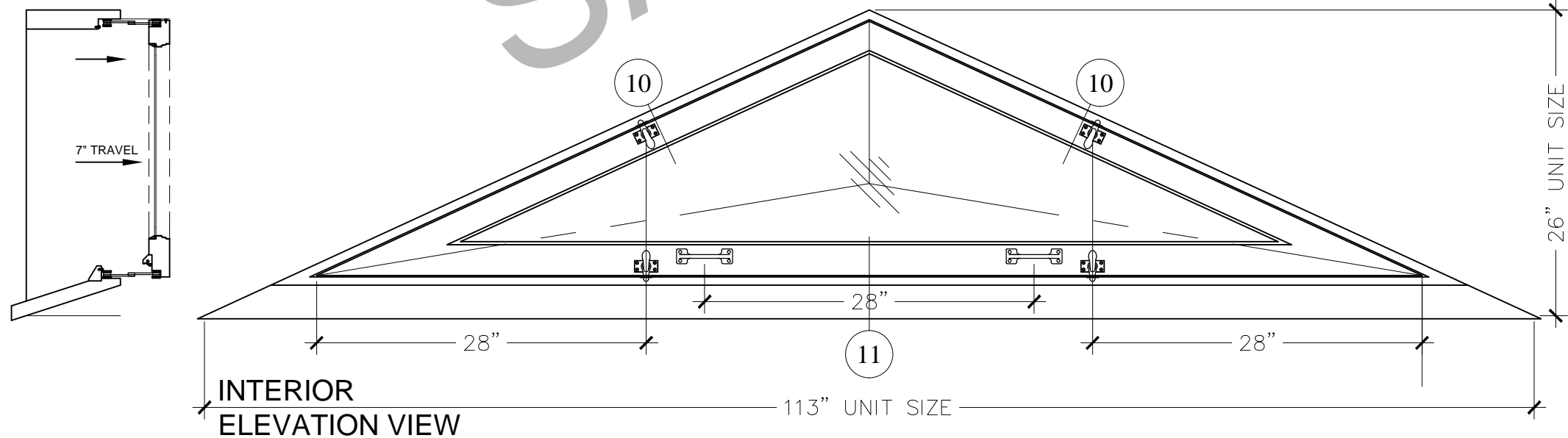
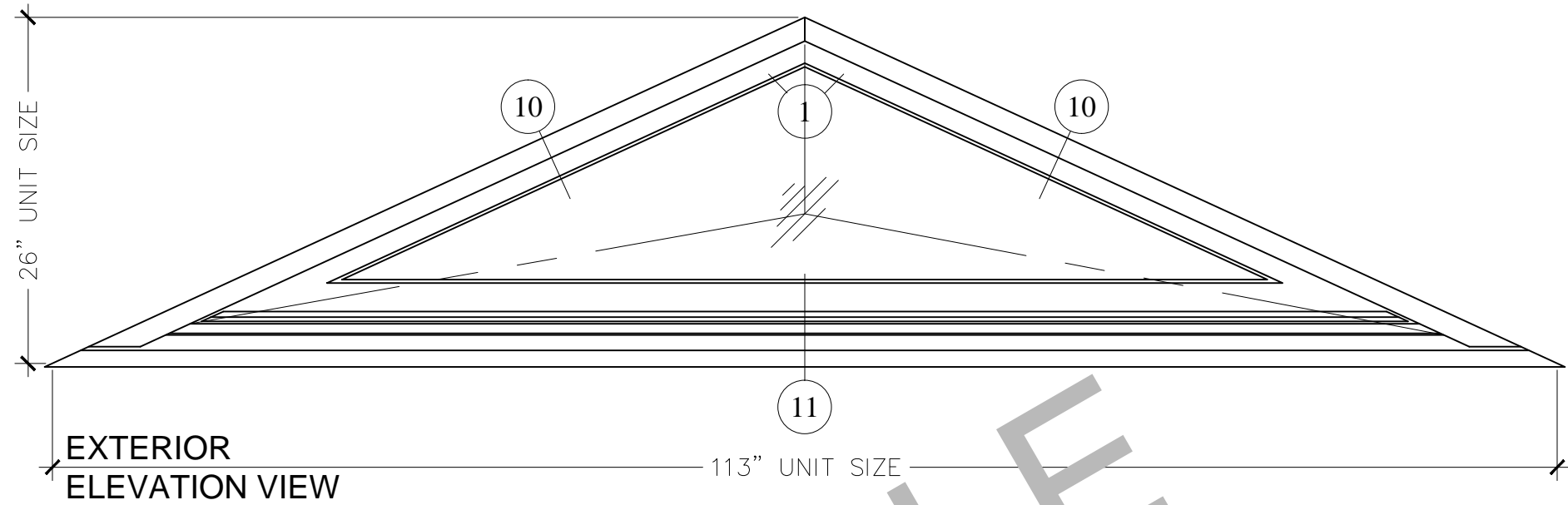
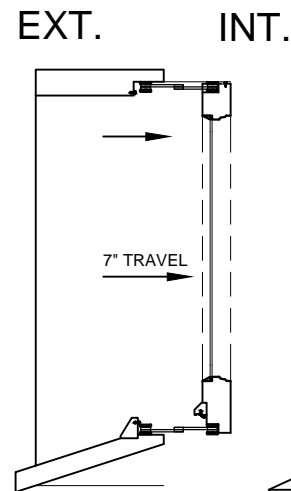
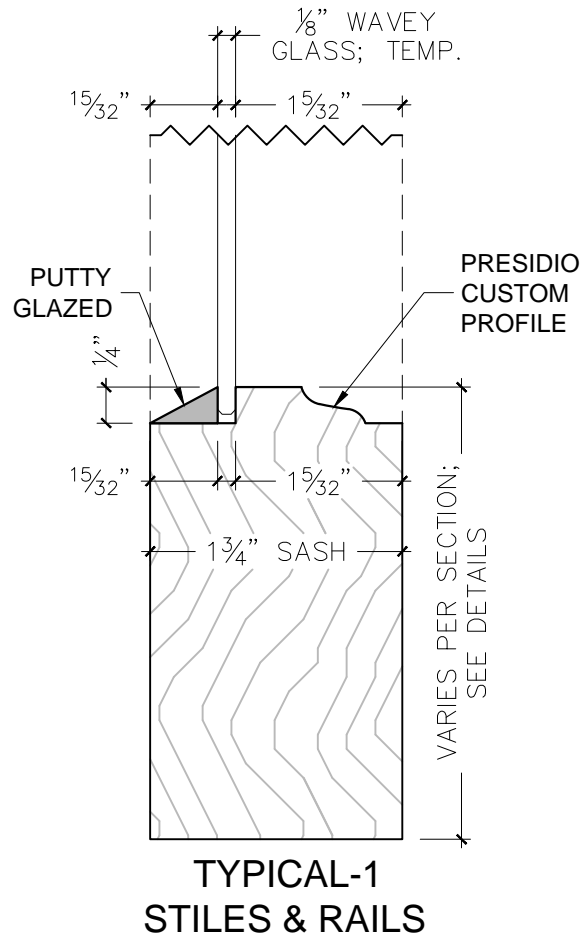


- UNIT SIZE: 113" X 26"
- MATERIAL: FSC V.G. FIR
- GRADE OF FINISH: PRIMER COAT AT INTERIOR & EXTERIOR
- SASH THICKNESS: 1 3/4"
- GLAZING: SINGLE GLAZED, WAVEY TEMPERED GLASS
- JAMB SIZE: 8"
- JAMB TYPE: SINGLE RABBET
- HINGES: PARALLEL HINGES
- LOCKS: STANDARD CASEMENT LATCHES; FINISH TBD
- OTHER: STANDARD PULL HANDLES; FINISH TBD

N Notes



WOODEN WINDOW

849 29th Street, Oakland, CA 94608
 ph: 5108931157, fax: 5108343662
 www.woodenwindow.com

CUSTOMER: **WOODEN WINDOW**

TITLE: **PROJECT NAME AND LOCATION**

SCOPE: **WINDOWS**

APPROVAL

ACCEPTED As Is or with Noted Changes

REVISE & RESUBMIT per Changes in Red

BY SIGNING THIS STAMP, I (THE CUSTOMER) VERIFY THAT I HAVE CHECKED THE DRAWING FOR ACCURACY AND UNDERSTAND THAT I ACCEPT FULL RESPONSIBILITY FOR THE NOTED ITEMS. I UNDERSTAND THAT WOODEN WINDOW, INC. WILL SUPPLY THE PRODUCTS AS NOTED ON THESE PAGES.

SIGNATURE _____ DATE _____

PROJECT #: 12XXX

UNIT TYPE: VENT WINDOW

UNIT #: Unit

QTY: 1

LOCATION: TBD

DRAWN BY: JAVIER B.

INITIAL: 09 / 25 / 12

PRODUCTION:

SCALE AS SHOWN

DRAWING

W-1

T Typical Detail

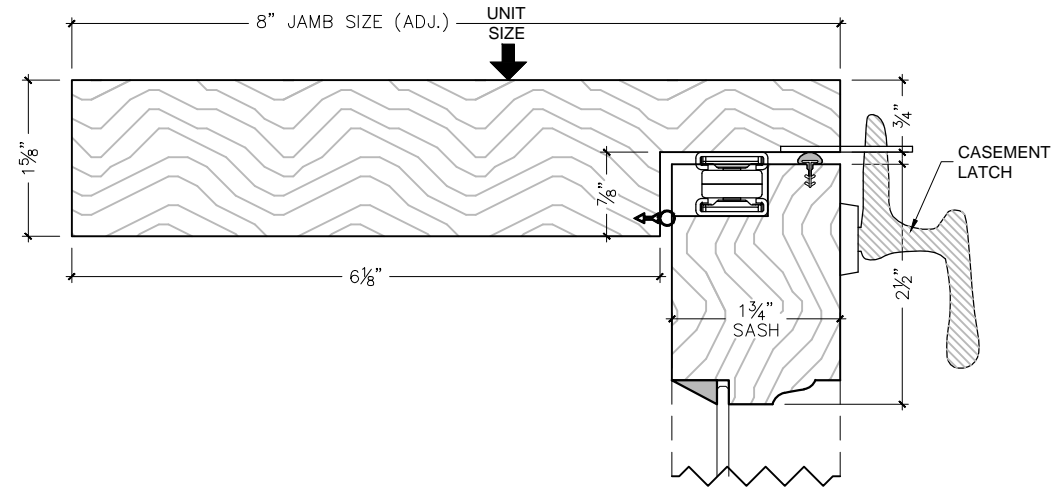
SCALE: 3/4":1

A ELEVATION FOR POP-IN WINDOW

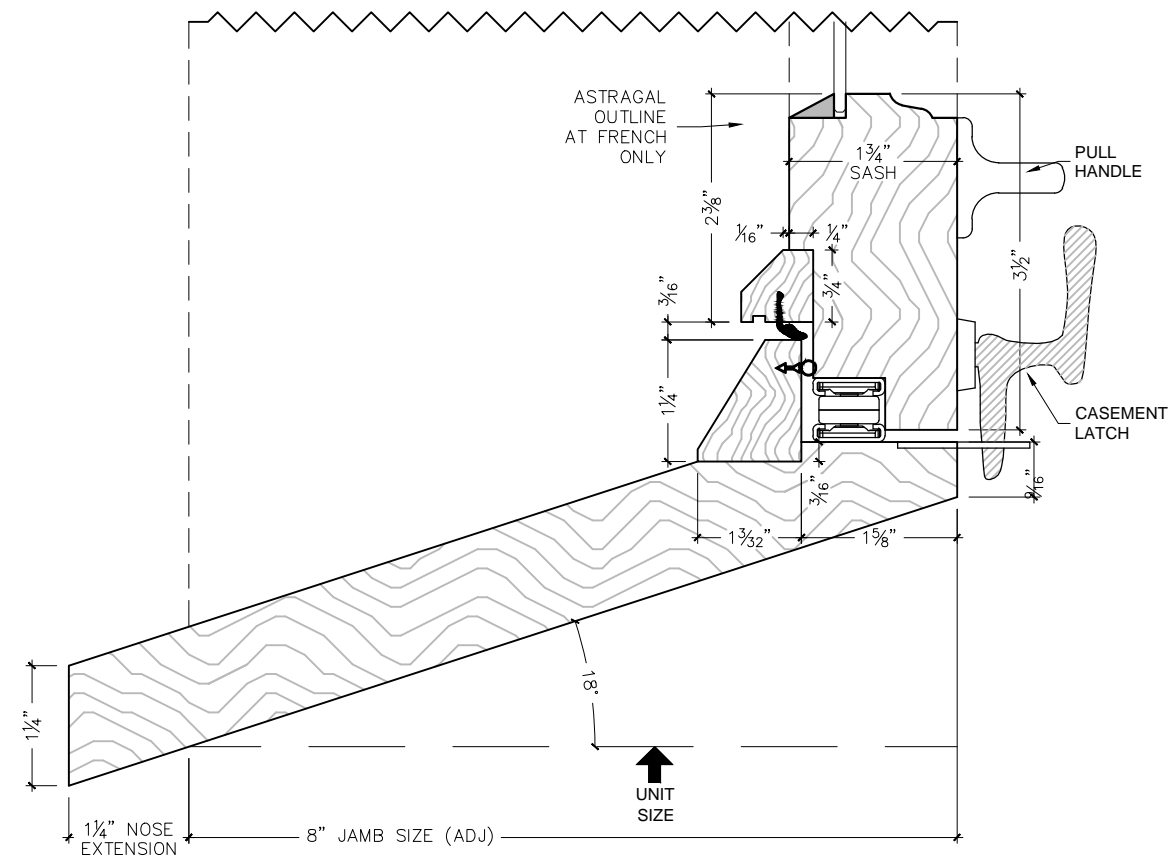
SCALE: 1:1

SHEET 1 OF 2

SAMPLE



EXT. INT. 10 POP-IN VENT WINDOW HEAD / JAMB SECTION DETAIL SCALE: 1/2:1



EXT. INT. 11 POP-IN VENT WINDOW SILL SECTION DETAIL SCALE: 1/2:1

WOODEN WINDOW
 849 29th Street, Oakland, CA 94608
 ph: 5108931157, fax: 5108343662
 www.woodenwindow.com

CUSTOMER: CLIENT NAME
 TITLE: PROJECT NAME AND LOCATION
 SCOPE: WINDOWS

APPROVAL
 ACCEPTED As Is or with Noted Changes
 REVISE & RESUBMIT per Changes in Red
 BY SIGNING THIS STAMP, I (THE CUSTOMER) VERIFY THAT I HAVE CHECKED THE DRAWING FOR ACCURACY AND FULLY UNDERSTAND AND ACCEPT FULL RESPONSIBILITY FOR THE NOTED ITEMS. I UNDERSTAND THAT WOODEN WINDOW, INC. WILL SUPPLY THE PRODUCTS AS NOTED ON THESE PAGES.
 SIGNATURE DATE

PROJECT #: 12XXX
 UNIT TYPE: VENT WINDOW
 UNIT #: DETAILS
 QTY:
 LOCATION:
 DRAWN BY: JAVIER B.
 INITIAL: 09 / 25 / 12
 PRODUCTION:
 SCALE AS SHOWN
 DRAWING
W-1.1
 SHEET 2 OF 2