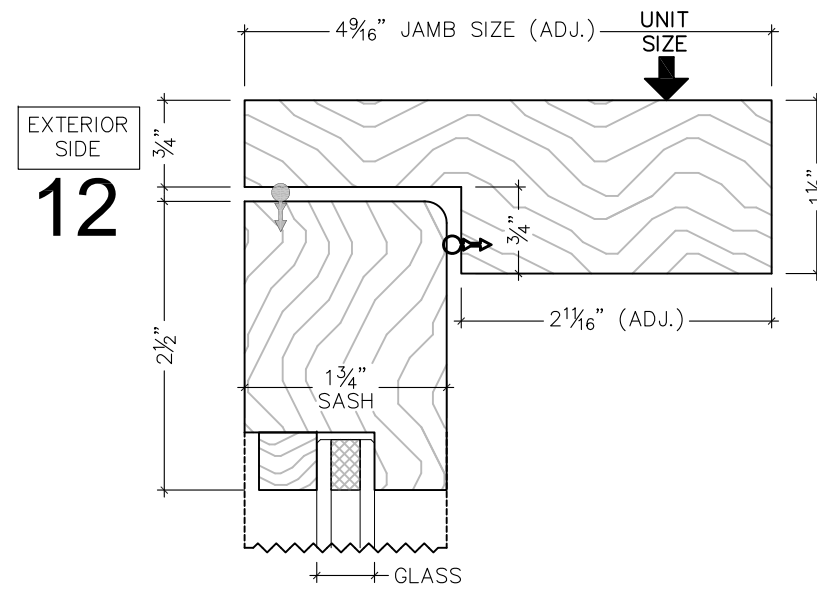
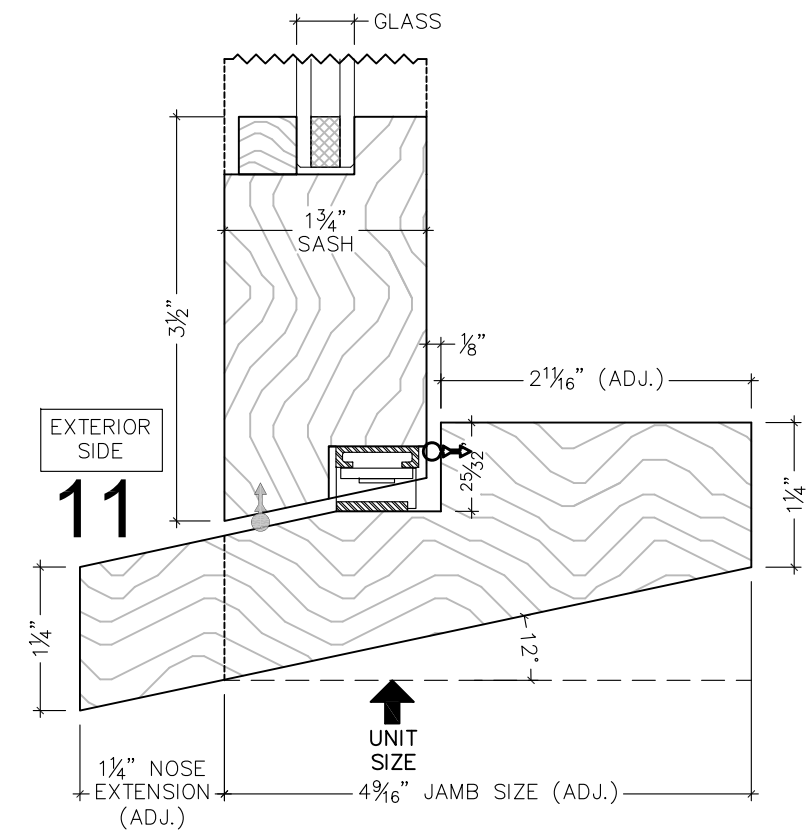
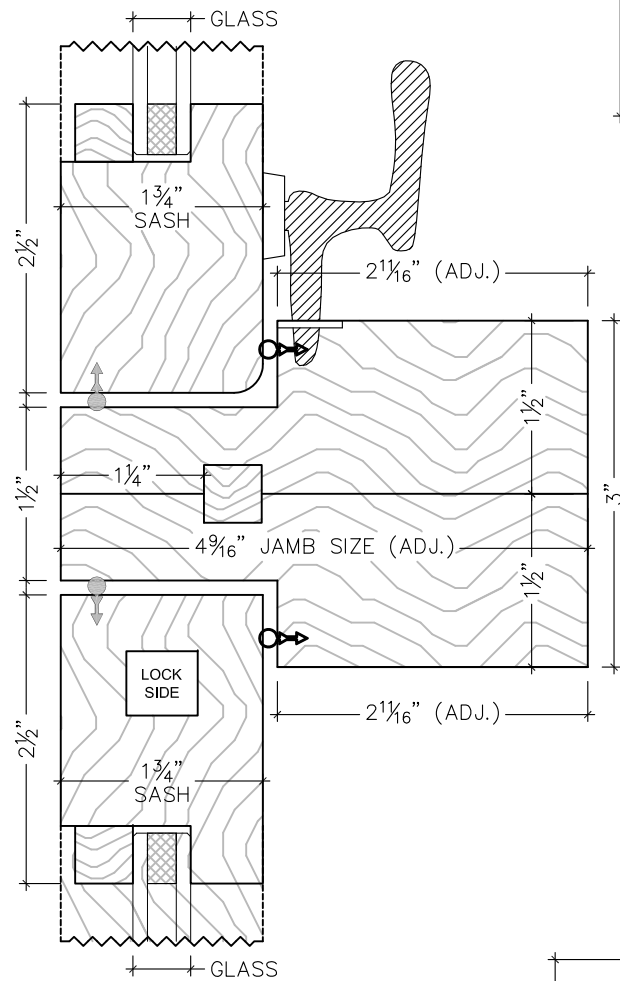


EXTERIOR SIDE
10

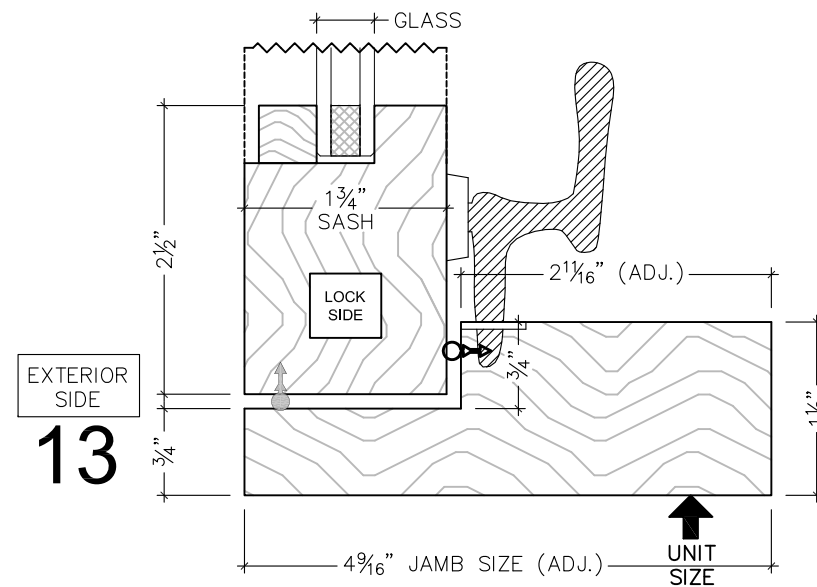


EXTERIOR SIDE
12

EXTERIOR SIDE
16

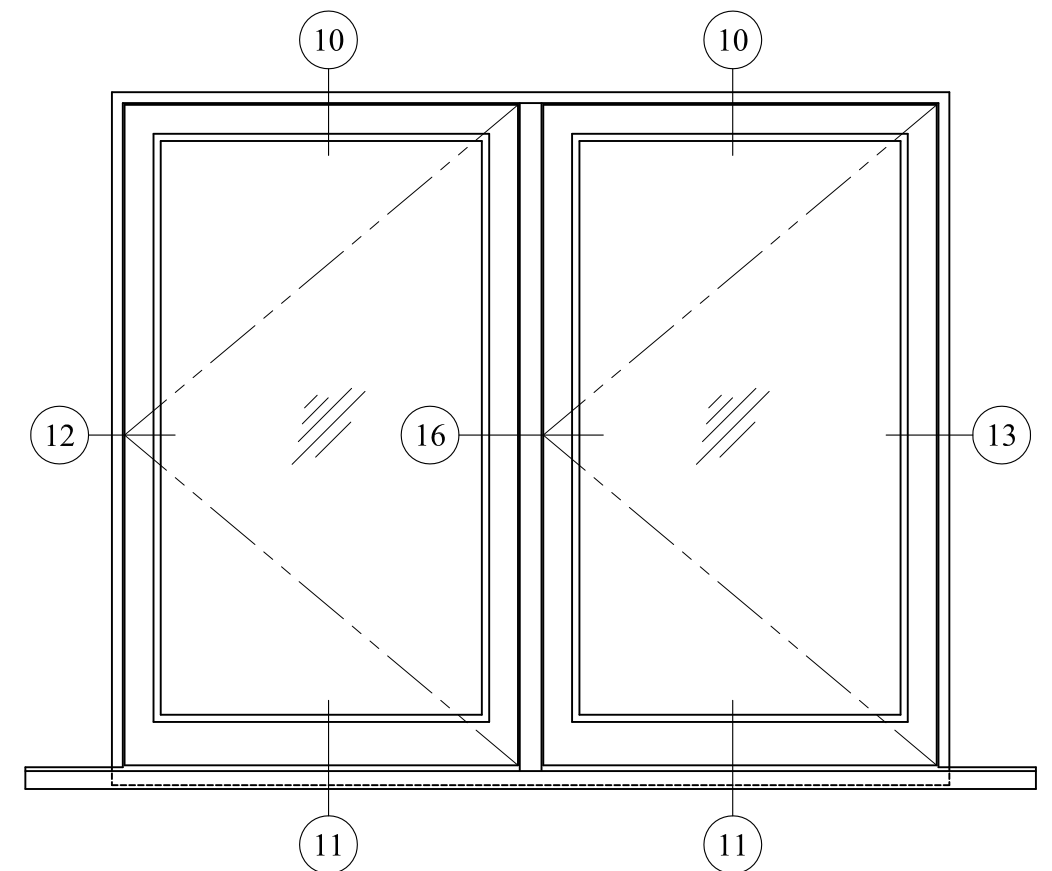


EXTERIOR SIDE
11



EXTERIOR SIDE
13

OUT-SWING DOUBLE CASEMENT CONCEALED HINGES



EXTERIOR ELEVATION VIEW

WOODEN WINDOW

849 29th Street, Oakland, CA 94608
 ph: 510 893 1157, fax: 510 834 3662
 www.woodenwindow.com