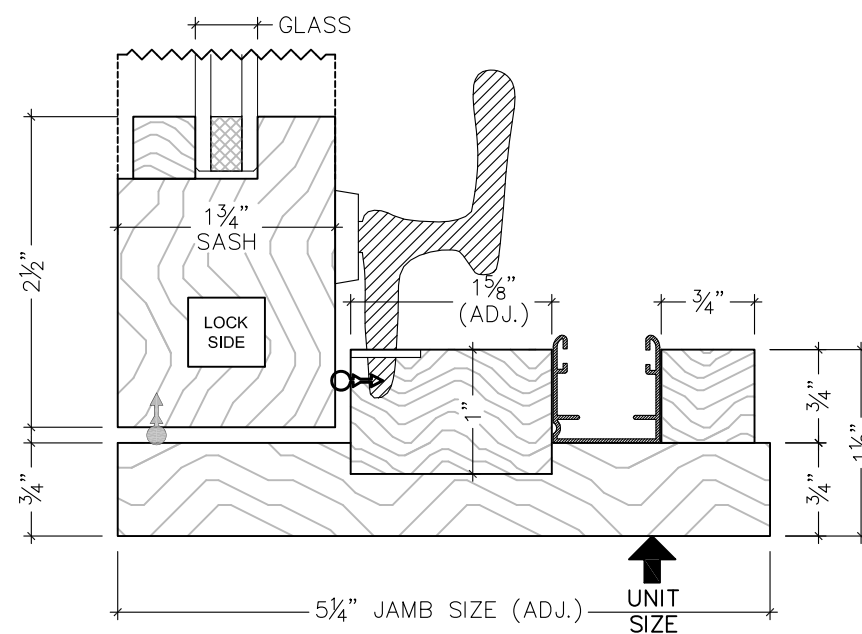
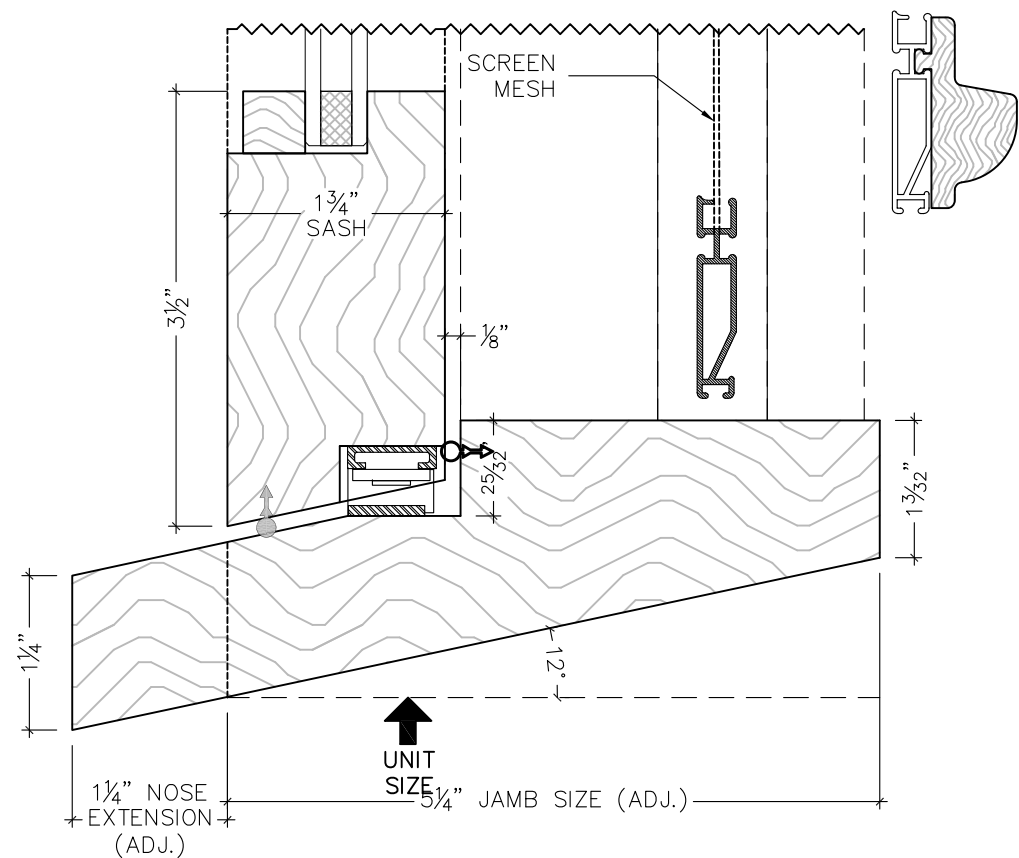


# CASEMENT WITH ROLLDOWN SCREENS



**WOODEN WINDOW**

849 29th Street, Oakland, CA 94608  
 ph: 510 893 1157, fax: 510 834 3662  
 www.woodenwindow.com