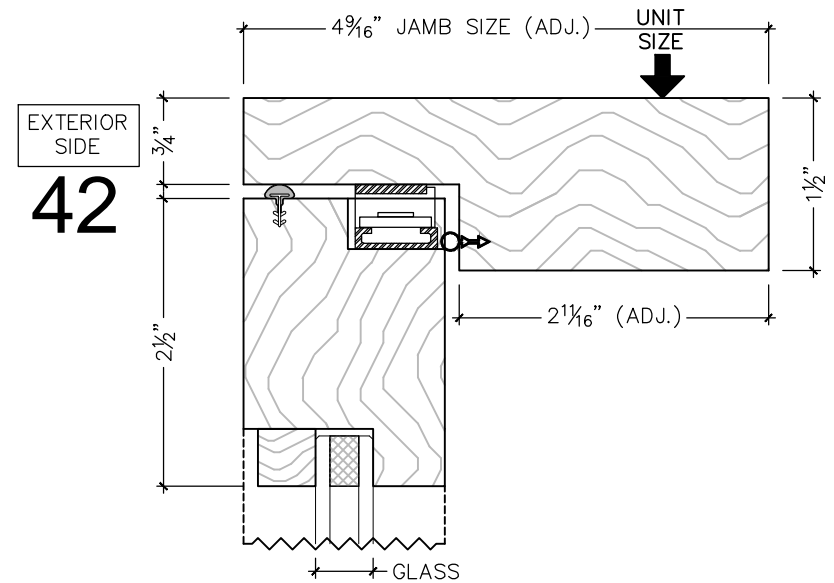
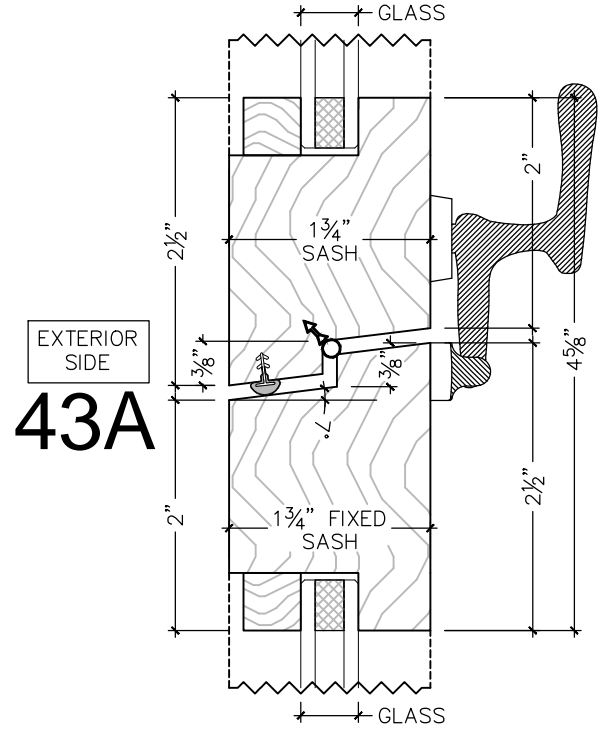


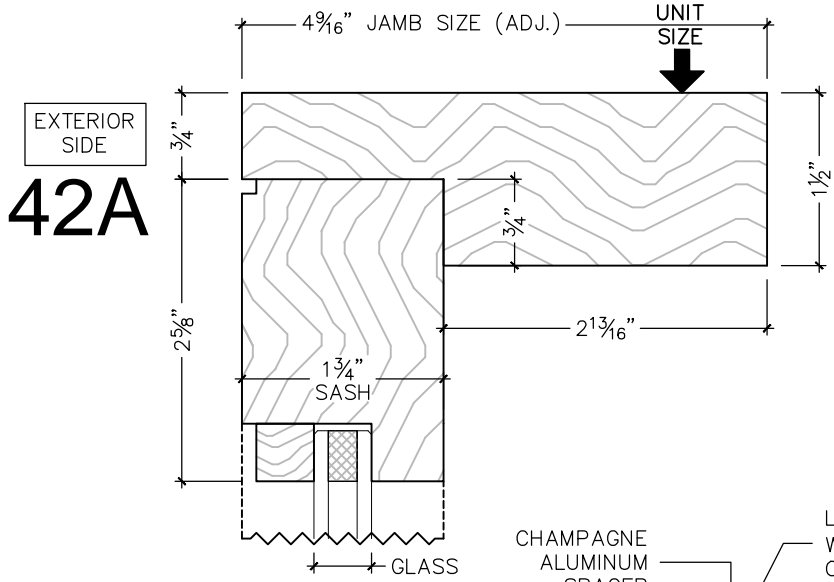
40



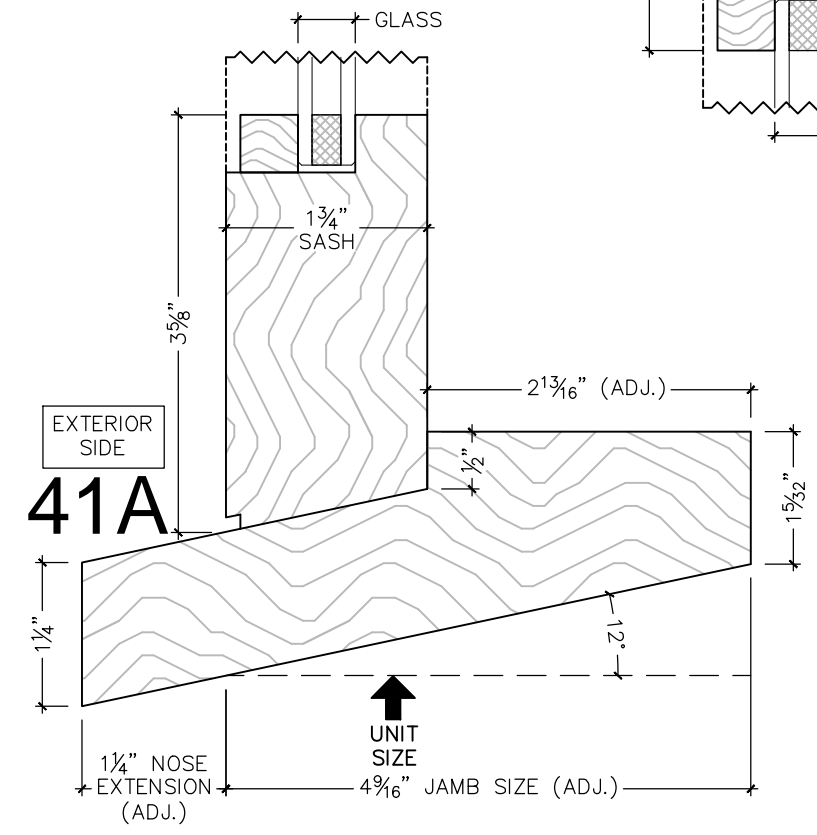
42



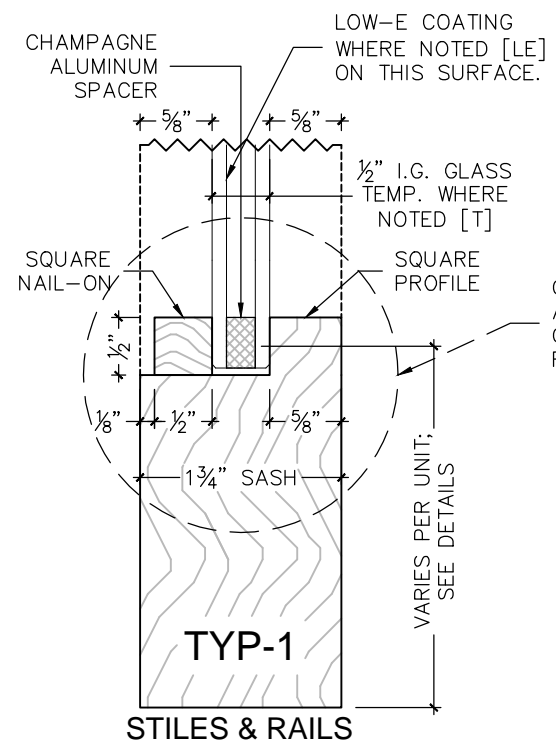
43A



42A



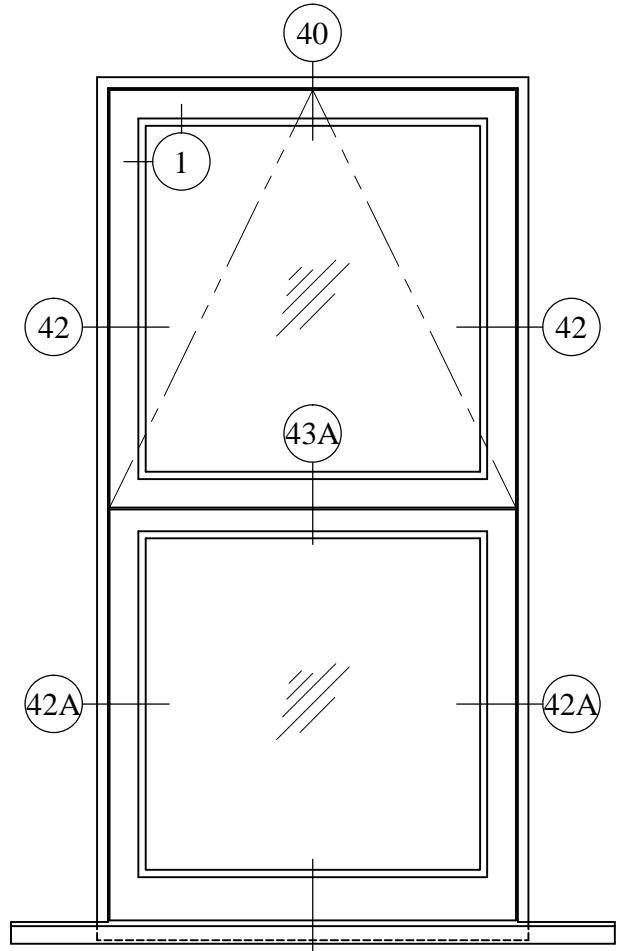
41A



TYP-1

STILES & RAILS

AWNING OVER FIXED WINDOW WITH CONCEALED HINGES



EXTERIOR ELEVATION VIEW

CHOICE OF GLASS & CUTTER PROFILES AVAILABLE UPON REQUEST. CONTACT ONE OF OUR SALES STAFF FOR MORE INFO.



849 29th. Street, Oakland, CA 94608  
 ph: 510 893 1157, fax: 510 834 3662  
 www.woodenwindow.com