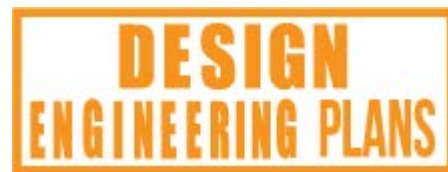




849 29th Street, Oakland, CA 94608
 ph: 5108931157, fax: 5108343662
 www.woodenwindow.com

WW PRODUCT L&S.XO.214.2.G12.BEV

DESIGN STATUS



DESIGN ENGINEERING PLANS - THIS JOB IS IN DESIGN ENGINEERING. CHANGES TO THE TECHNICAL CHARACTERISTICS OF THE DESIGN NEED TO BE MARKED ON THE MOST RECENT DRAWING SET. UPON APPROVAL OF THESE DESIGNS, THE FINAL CONSTRUCTION PLANS WILL BE CREATED, AFTER WHICH POINT ANY CHANGES MIGHT CAUSE DELAYS AND INCUR COSTS.

FINAL CONSTRUCTION PLANS - THIS JOB HAS BEEN APPROVED AND IS NOW IN PRODUCTION. CHANGES TO THE FINAL CONSTRUCTION PLANS MIGHT DELAY DELIVERY OF PRODUCT UNTIL PRODUCTION UPDATE PLANS HAVE BEEN CREATED AND A CHANGE ORDER FOR PARTS, HARDWARE, AND LABOR HAS BEEN APPROVED.

PRODUCTION UPDATE PLANS - THIS JOB WAS PUT ON HOLD IN PRODUCTION, BROUGHT BACK TO ENGINEERING TO PROCESS CHANGES, AND IS NOW BACK IN PRODUCTION. FURTHER CHANGES MIGHT DELAY DELIVERY OF PRODUCT UNTIL PRODUCTION UPDATE PLANS HAVE BEEN CREATED AND A CHANGE ORDER FOR PARTS, HARDWARE, AND LABOR HAS BEEN APPROVED.

HARDWARE PACKAGES	
ED-1	FFI L&S SYSTEM FOR 660LB DOOR, LOW GUIDES
ED-1.1	INTERIOR ELEVATIONS - CLOSED & OPEN
ED-100	SECTION DETAIL DRAWINGS
ED-101	SECTION DETAIL DRAWINGS
ED-102	SECTION DETAIL DRAWINGS
ED-103	SECTION DETAIL DRAWINGS



849 29th Street, Oakland, CA 94608
 ph: 5108931157, fax: 5108343662
 www.woodenwindow.com

CUSTOMER:
 WOODEN WINDOW, INC.

JOB NAME:
 WW PRODUCT

JOB #:
 L&S.XO.214.2.G12.BEV

SUBMITTAL REVIEW

APPROVED AS IS APPROVED WITH
 REVISE & RESUBMIT NOTED CHANGES

BY SIGNING THIS STAMP, I (THE CUSTOMER) VERIFY THAT I HAVE CHECKED THE DRAWINGS FOR ACCURACY AND UNDERSTAND THE CONTENTS AND ACCEPT FULL RESPONSIBILITY FOR THE NOTED ITEMS. I UNDERSTAND THAT WOODEN WINDOW, INC WILL SUPPLY THE PRODUCTS AS NOTED ON THESE PAGES.

SIGNATURE

DATE

DRAWN BY:

TJT

REVIEWED:

MC

INITIAL:

01 / 06 / 17



PRODUCTION:

COVER

SHEET

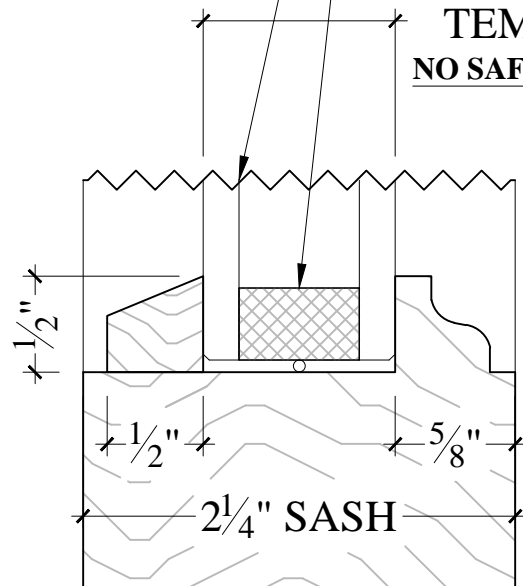
- WOOD
- JAMB MATERIAL: AFRICAN MAHOGANY; PRIME BOTH SIDES
 - SILL MATERIAL: AFRICAN MAHOGANY; PRIME BOTH SIDES
 - SASH MATERIAL: AFRICAN MAHOGANY; PRIME BOTH SIDES
- GLASS
- GLASS TYPE: IG LOW-E2 TEMPERED
- HARDWARE
- WEATHERSTRIP COLOR: WHITE
 - LIFT & SLIDE SYSTEM: FFI SSTL L&S

NOTES

LOW-E2 COATING
ON THIS SURFACE

CHAMPAGNE
SPACER BAR

1" I.G. LOW-E2
TEMPERED
NO SAFETY LOGOS

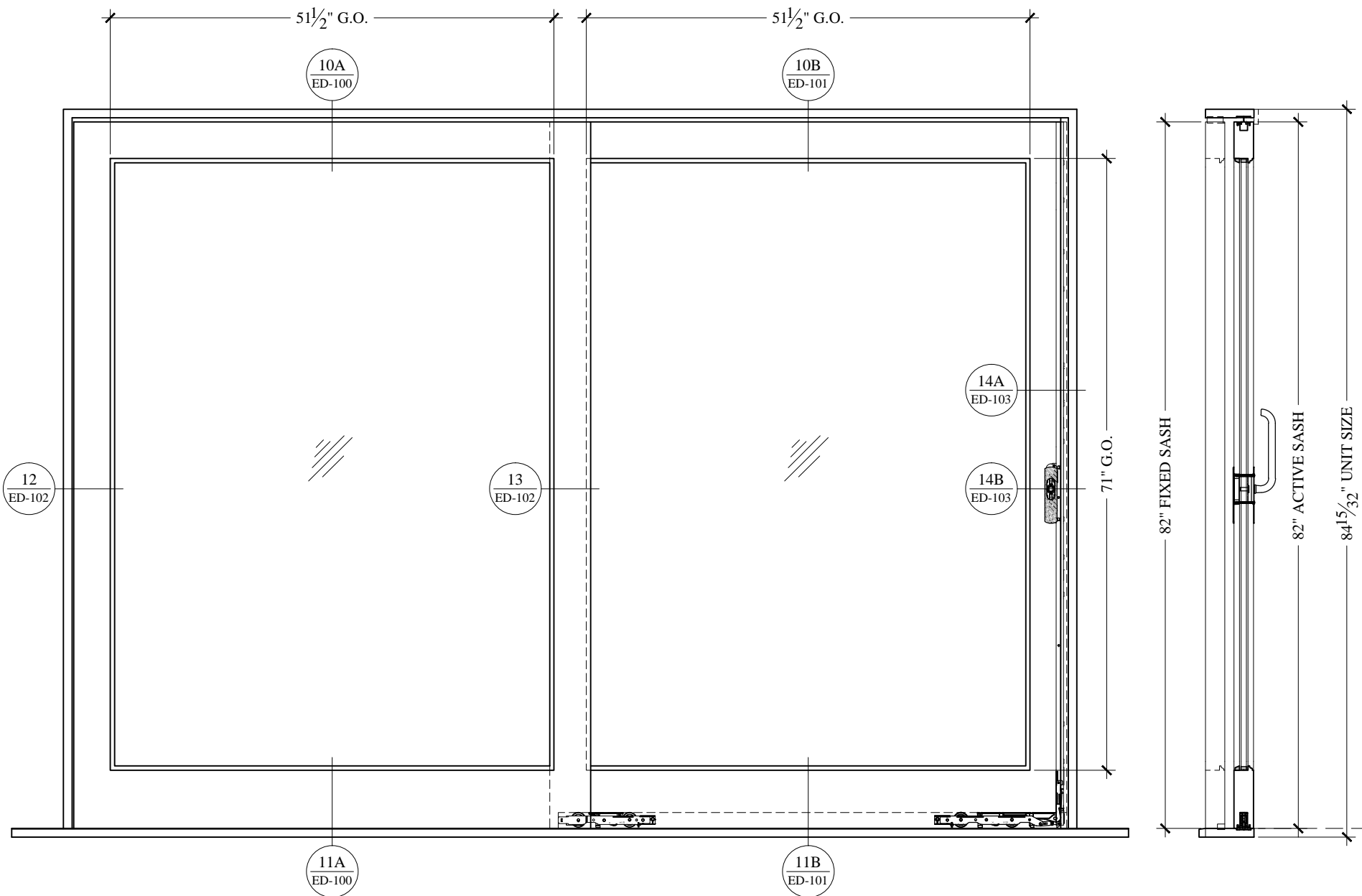
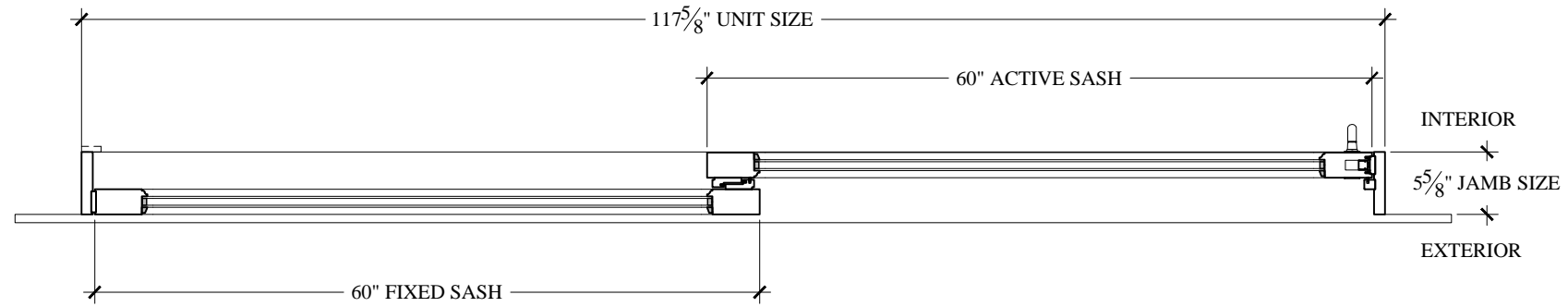


TYPICAL-1
STILES & RAILS

EXTERIOR INTERIOR

T TYPICAL DETAIL

SCALE: 1:1



ELEVATION FOR LIFT & SLIDE DOOR "KITCHEN PATIO" - DRAWN SHOWING EXTERIOR

SCALE: 3/4"=1'-0"

WOODEN WINDOW
WINDOW

849 29th Street, Oakland, CA 94608
ph: 5108931157, fax: 5108343662
www.woodenwindow.com

CUSTOMER: **WOODEN WINDOW, INC.**

JOB NAME: **WW PRODUCT**

JOB #: **L&S.XO.214.2.G12.BEV**

SUBMITTAL REVIEW

APPROVED AS IS APPROVED WITH REVISIONS

REVISE & RESUBMIT NOTED CHANGES

BY SIGNING THIS STAMP, I (THE CUSTOMER) VERIFY THAT I HAVE CHECKED THE DRAWING FOR ACCURACY AND UNDERSTAND THAT I WILL ACCEPT FULL RESPONSIBILITY FOR THE NOTED ITEMS. I UNDERSTAND THAT WOODEN WINDOW, INC. WILL SUPPLY THE PRODUCTS AS NOTED ON THESE PAGES.

SIGNATURE: _____ DATE: _____

DRAWN BY: **TJT**

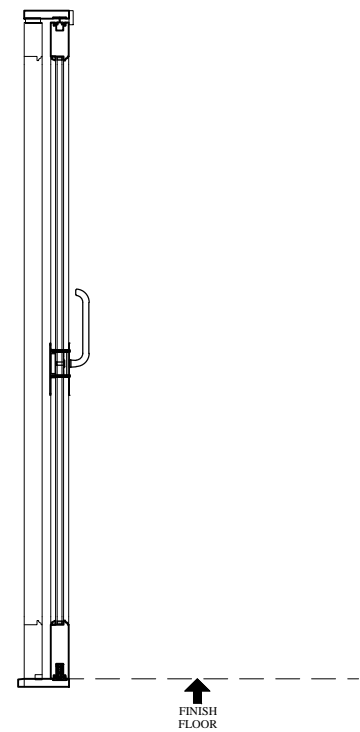
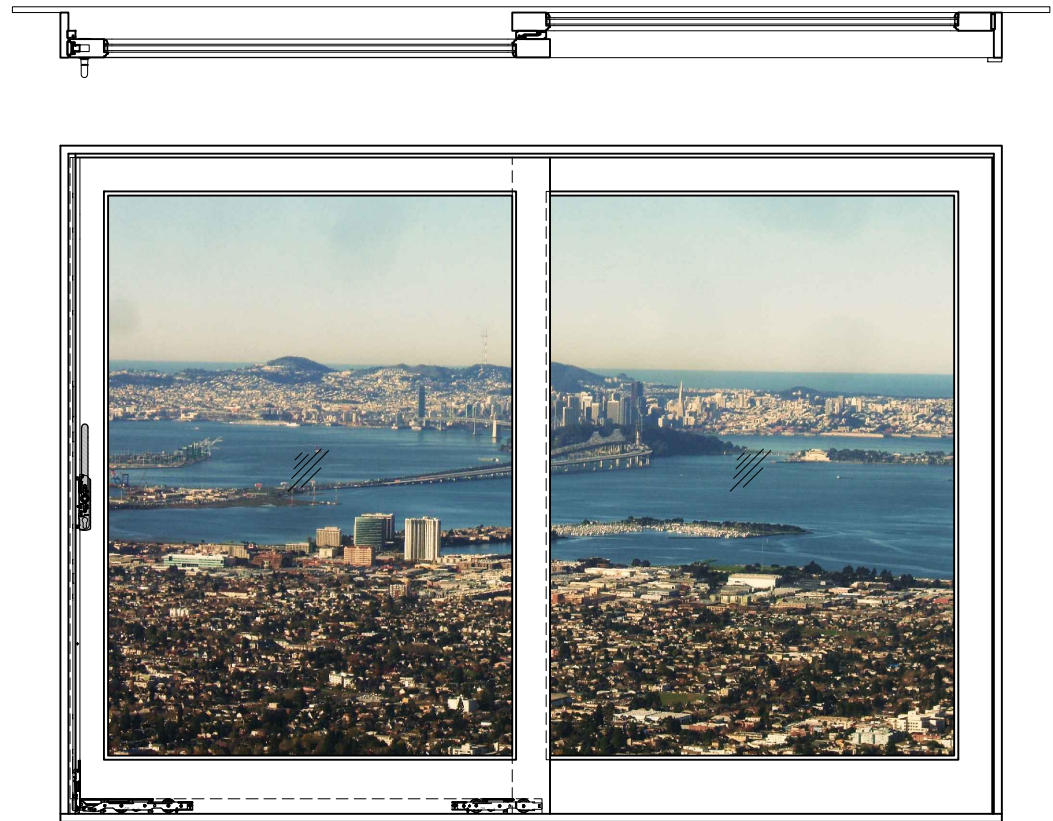
REVIEWED: **MC**

INITIAL: **01 / 06 / 17**

PRODUCTION:

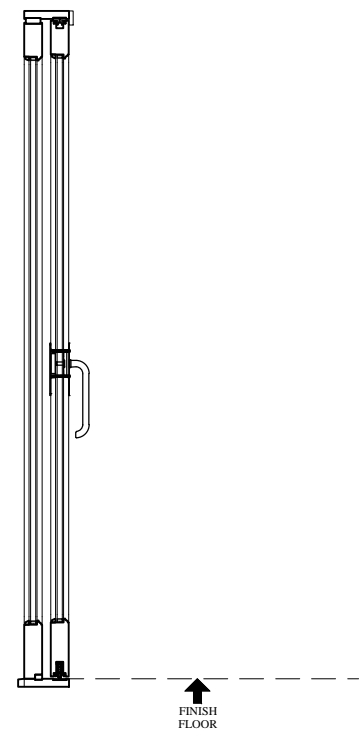
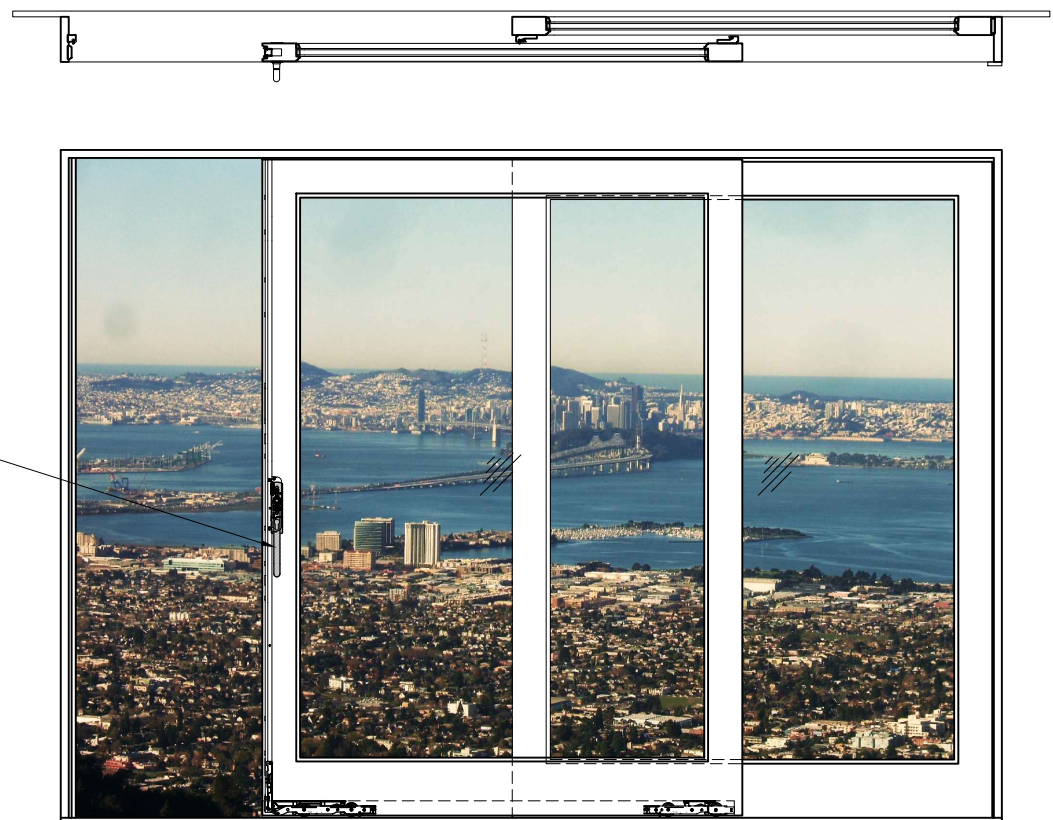
ED-1

SHEET



ELEVATION FOR LIFT & SLIDE DOOR "KITCHEN PATIO" - DRAWN SHOWING INTERIOR, CLOSED POSITION

SCALE: 1/2"=1'-0"



ROTATE HANDLE
DOWN TO LIFT;
SLIDE TO OPEN

ELEVATION FOR LIFT & SLIDE DOOR "KITCHEN PATIO" - DRAWN SHOWING INTERIOR, OPEN POSITION

SCALE: 1/2"=1'-0"

WOODEN WINDOW
WINDOW

849 29th Street, Oakland, CA 94608
ph: 5108931157, fax: 5108343662
www.woodenwindow.com

CUSTOMER:
WOODEN WINDOW, INC.

JOB NAME:
WW PRODUCT

JOB #:
L&S.XO.214.2.G12.BEV

SUBMITTAL REVIEW

APPROVED AS IS APPROVED WITH NOTED CHANGES

REVISE & RESUBMIT NOTED CHANGES

BY SIGNING THIS STAMP, I (THE CUSTOMER) VERIFY THAT I HAVE CHECKED THE DRAWINGS FOR ACCURACY AND UNDERSTAND AND ACCEPT FULL RESPONSIBILITY FOR THE NOTED ITEMS. I UNDERSTAND THAT WOODEN WINDOW, INC. WILL SUPPLY THE PRODUCTS AS NOTED ON THESE PAGES.

SIGNATURE _____ DATE _____

DRAWN BY: **TJT**

REVIEWED: **MC**

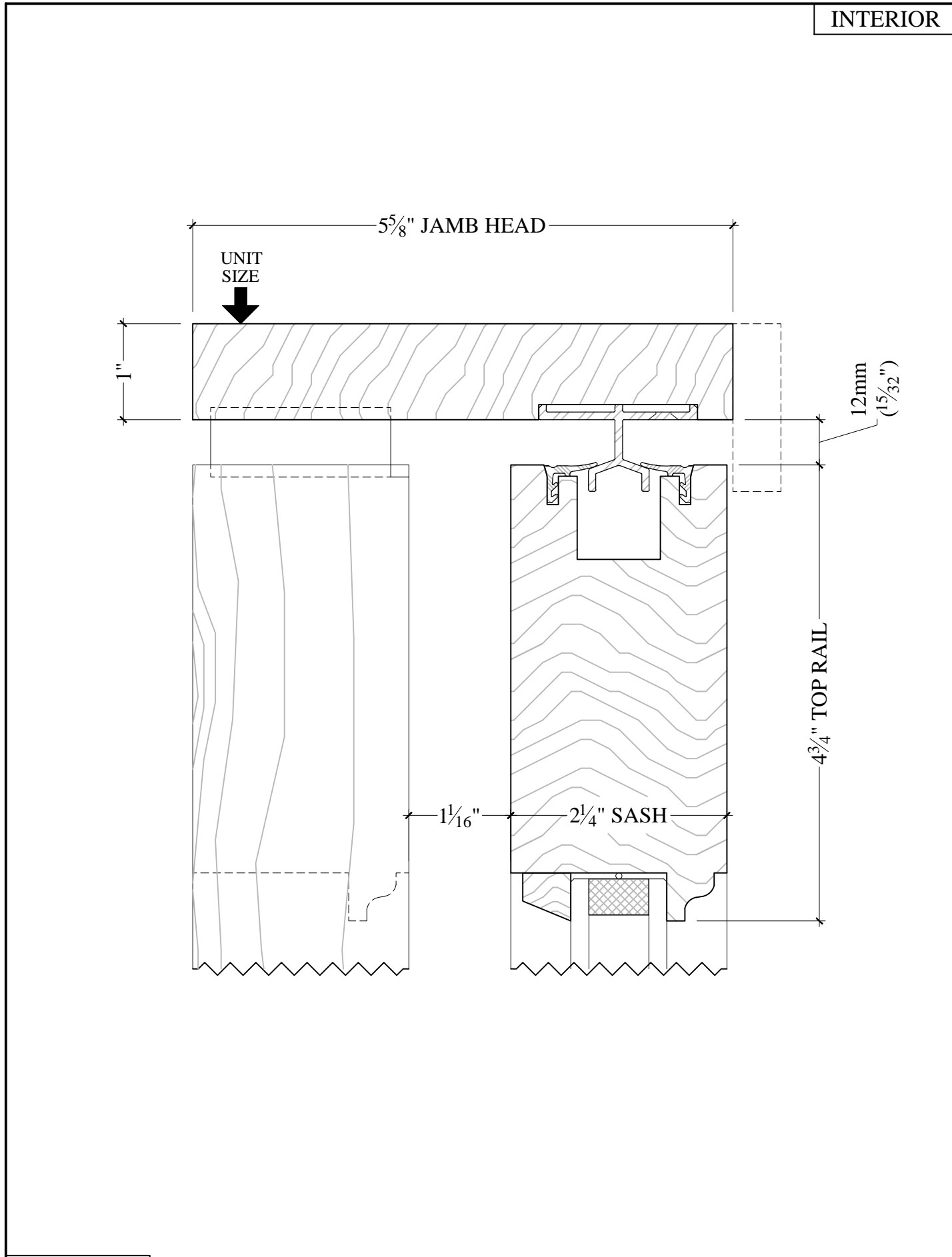
INITIAL: **01 / 06 / 17**

PRODUCTION:

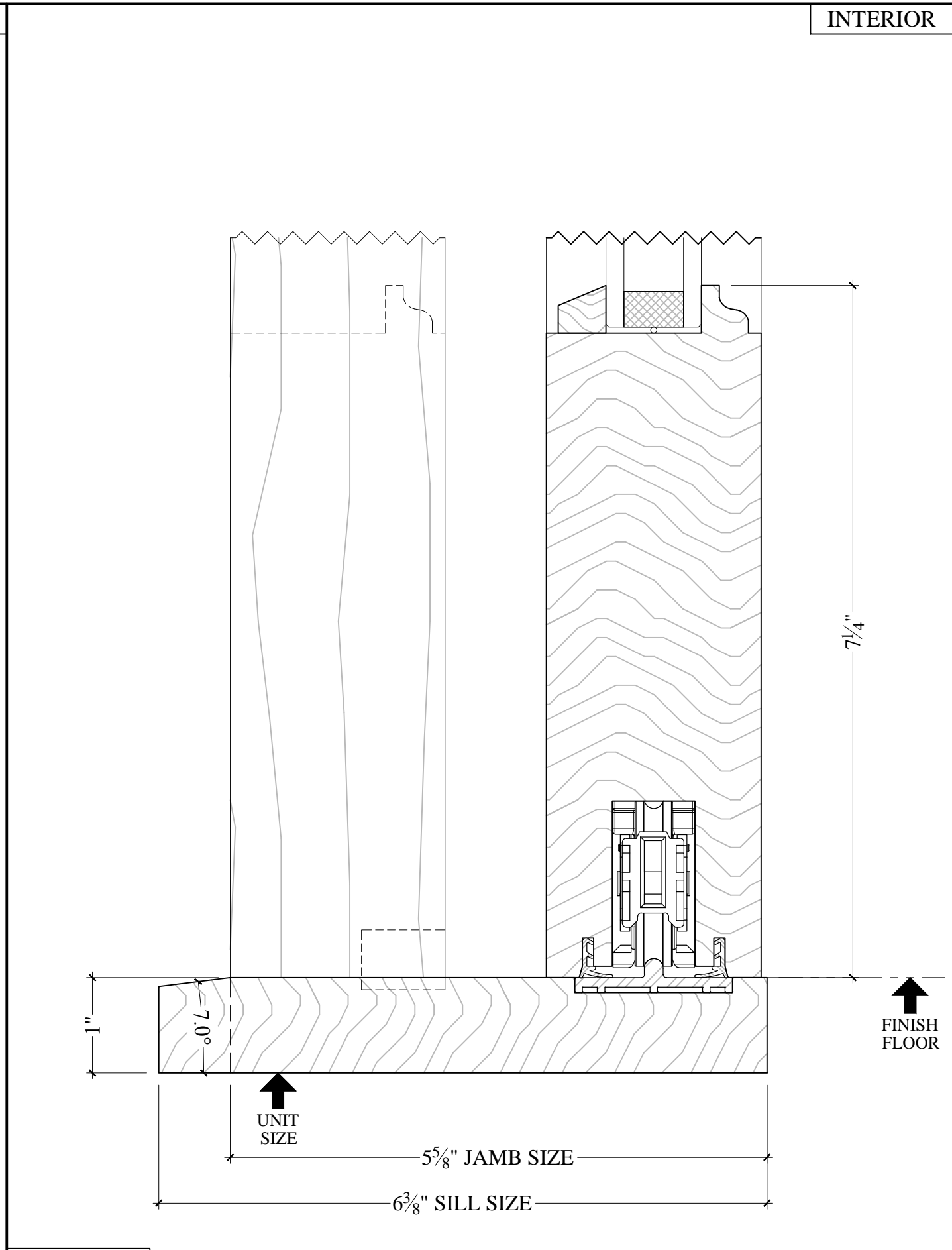
PRODUCTION:

ED-1

SHEET

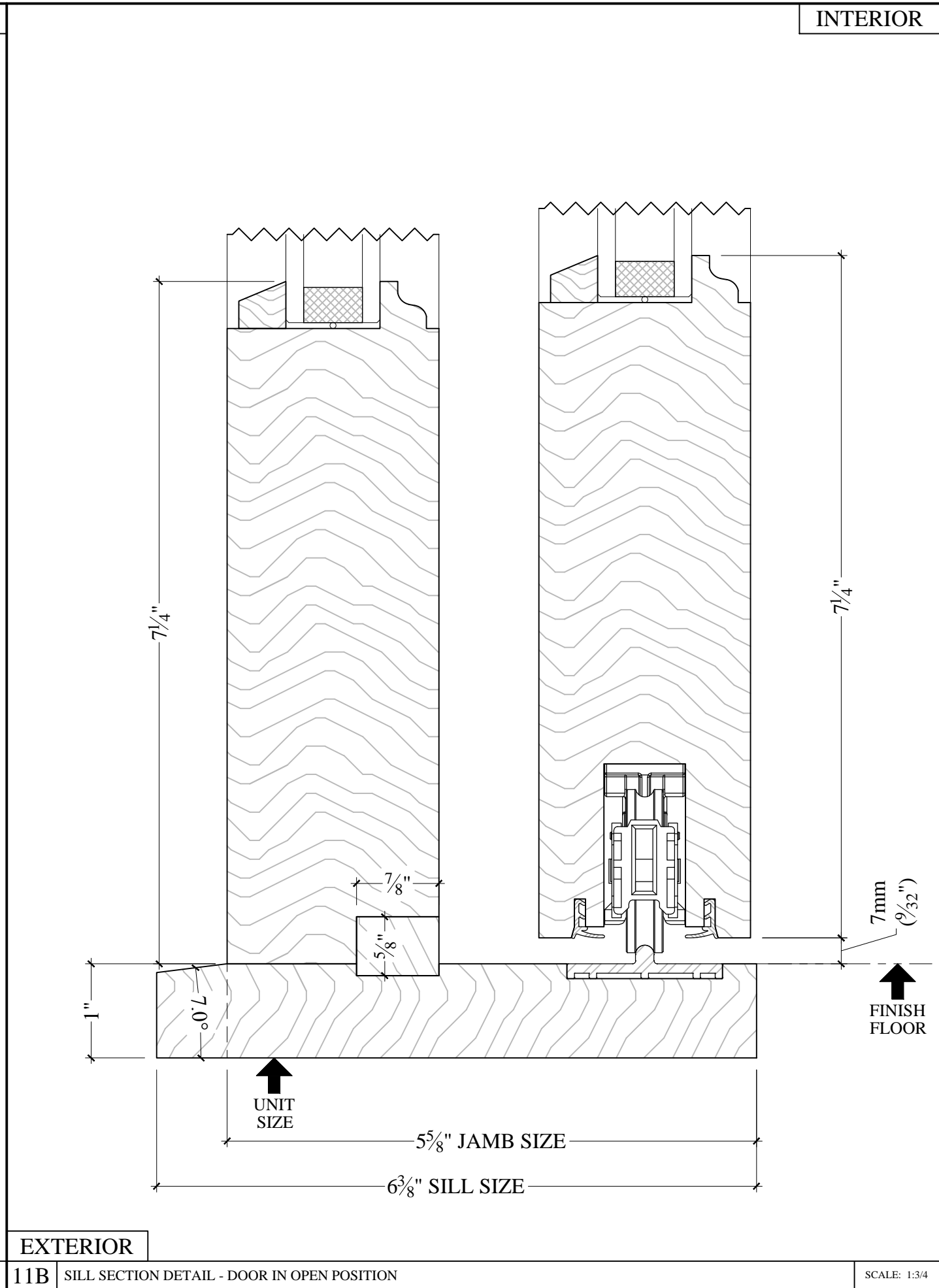
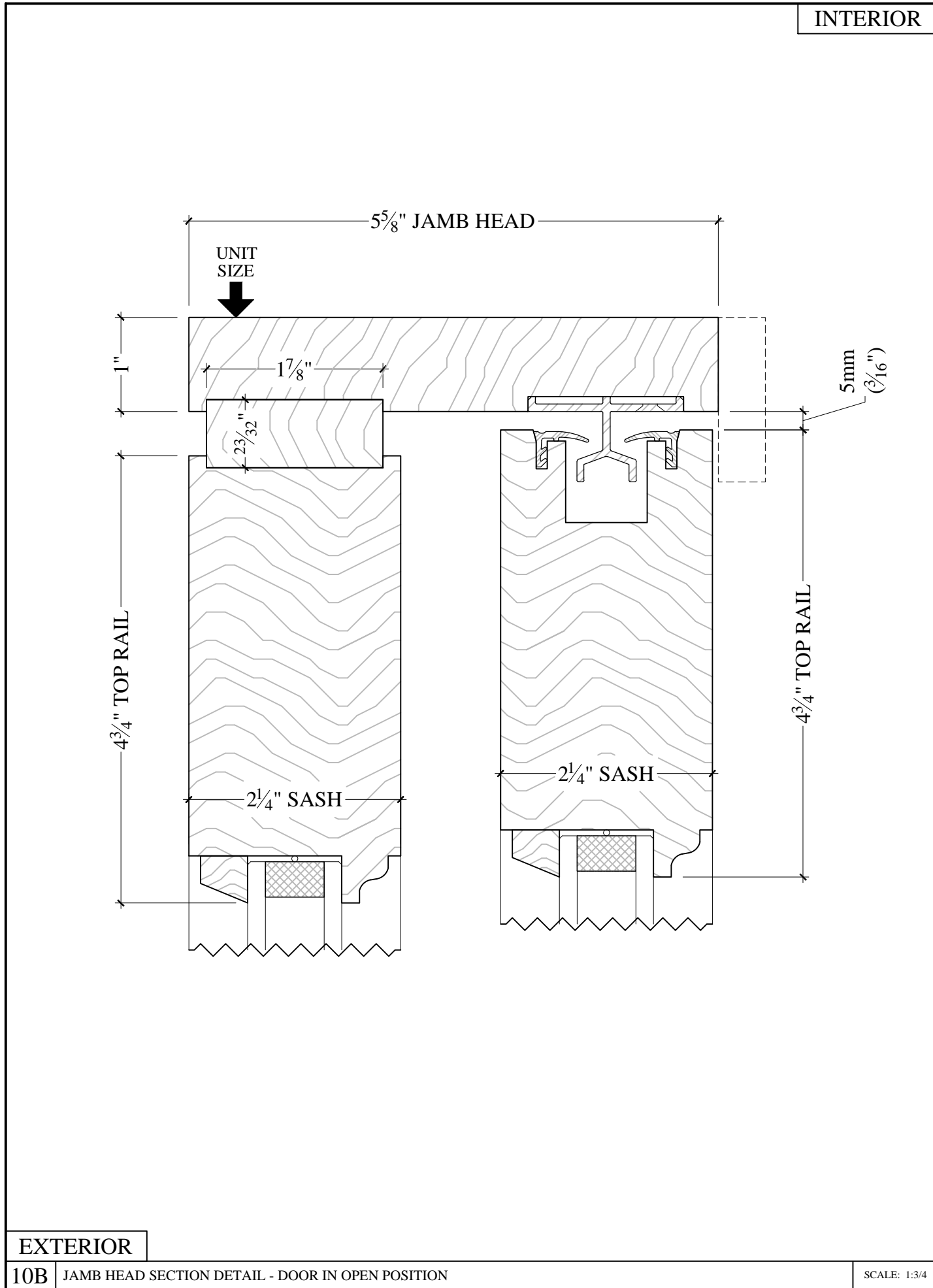


10A JAMB HEAD SECTION DETAIL - DOOR IN CLOSED POSITION SCALE: 1:3/4



11A SILL SECTION DETAIL - DOOR IN CLOSED POSITION SCALE: 1:3/4

WOODEN WINDOW		849 29th Street, Oakland, CA 94608 ph: 5108931157, fax: 5108343662 www.woodenwindow.com	
CUSTOMER: WOODEN WINDOW, INC.		JOB NAME: WW PRODUCT	
JOB #: L&S.XO.214.2.G12.BEV		DATE	
SUBMITTAL REVIEW		SIGNATURE	
<input type="checkbox"/> APPROVED AS IS <input type="checkbox"/> REVISE & RESUBMIT		<input type="checkbox"/> APPROVED WITH NOTED CHANGES <input type="checkbox"/> NOTED CHANGES	
<small>BY SIGNING THIS STAMP, I (THE CUSTOMER) VERIFY THAT I HAVE CHECKED THE DRAWING FOR ACCURACY AND UNDERSTAND THAT I AM ACCEPTING FULL RESPONSIBILITY FOR THE NOTED ITEMS. I UNDERSTAND THAT WOODEN WINDOW, INC. WILL SUPPLY THE PRODUCTS AS NOTED ON THESE PAGES.</small>			
DRAWN BY:		TJT	
REVIEWED:		MC	
INITIAL:		01 / 06 / 17	
PRODUCTION:		<input type="checkbox"/> PRODUCTION <input type="checkbox"/> PRODUCTION	
ED-100		SHEET	



WOODEN WINDOW

849 29th Street, Oakland, CA 94608
 ph: 5108931157, fax: 5108343662
 www.woodenwindow.com

CUSTOMER: **WOODEN WINDOW, INC.**

JOB NAME: **WW PRODUCT**

JOB #: **L&S.XO.214.2.G12.BEV**

SUBMITTAL REVIEW

APPROVED AS IS APPROVED WITH NOTED CHANGES

REVISE & RESUBMIT NOTED CHANGES

BY SIGNING THIS STAMP, I (THE CUSTOMER) VERIFY THAT I HAVE CHECKED THE DRAWING FOR ACCURACY AND UNDERSTAND THAT WOODEN WINDOW, INC. WILL SUPPLY THE PRODUCTS AS NOTED ON THESE PAGES.

DRAWN BY: **TJT**

REVIEWED: **MC**

INITIAL: **01 / 06 / 17**

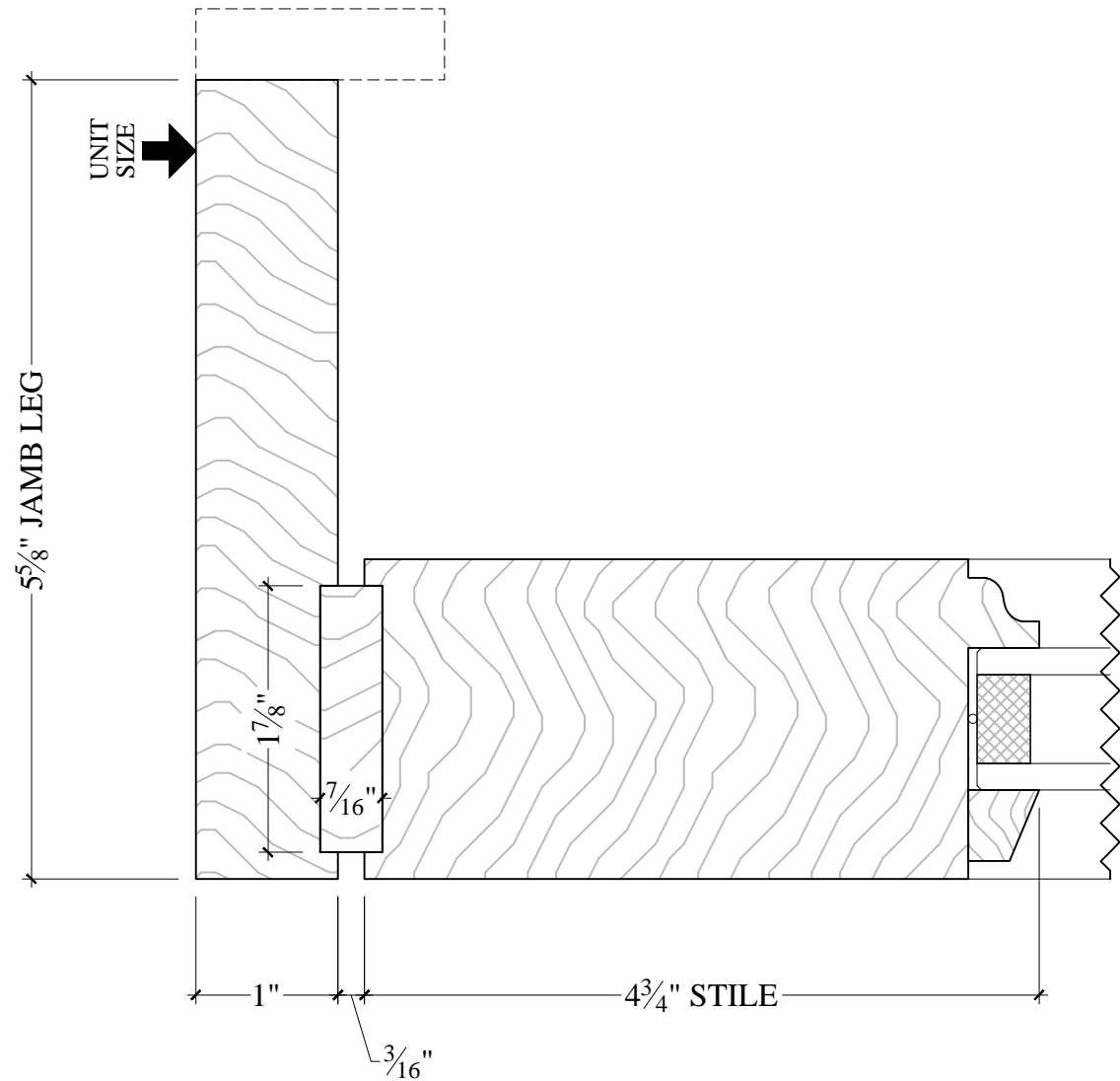
PRODUCTION:

SIGNATURE: _____ DATE: _____

ED-101

SHEET

INTERIOR

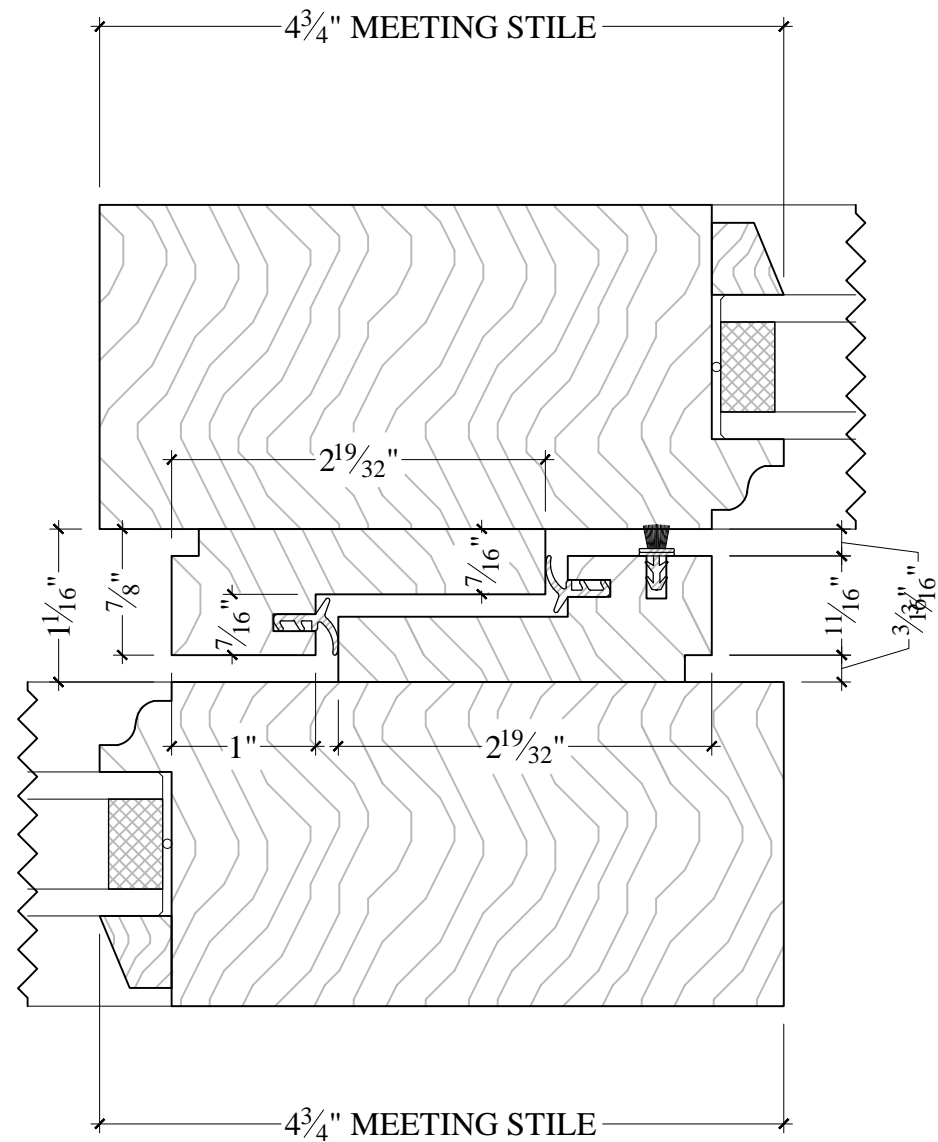


EXTERIOR

12 JAMB LEG SECTION DETAIL

SCALE: 1:3/4

INTERIOR



EXTERIOR

13 MEETING STILES SECTION DETAIL

SCALE: 1:3/4

SUBMITTAL REVIEW

APPROVED AS IS APPROVED WITH NOTED CHANGES

REVISE & RESUBMIT

BY SIGNING THIS STAMP, I (THE CUSTOMER) VERIFY THAT I HAVE CHECKED THE DRAWING FOR ACCURACY AND UNDERSTAND AND ACCEPT FULL RESPONSIBILITY FOR THE NOTED ITEMS. I UNDERSTAND THAT WOODEN WINDOW, INC. WILL SUPPLY THE PRODUCTS AS NOTED ON THESE PAGES.

DRAWN BY: TJT

REVIEWED: MC

INITIAL: 01 / 06 / 17

PRODUCTION:

SIGNATURE _____ DATE _____

CUSTOMER: **WOODEN WINDOW, INC.**

JOB NAME: **WW PRODUCT**

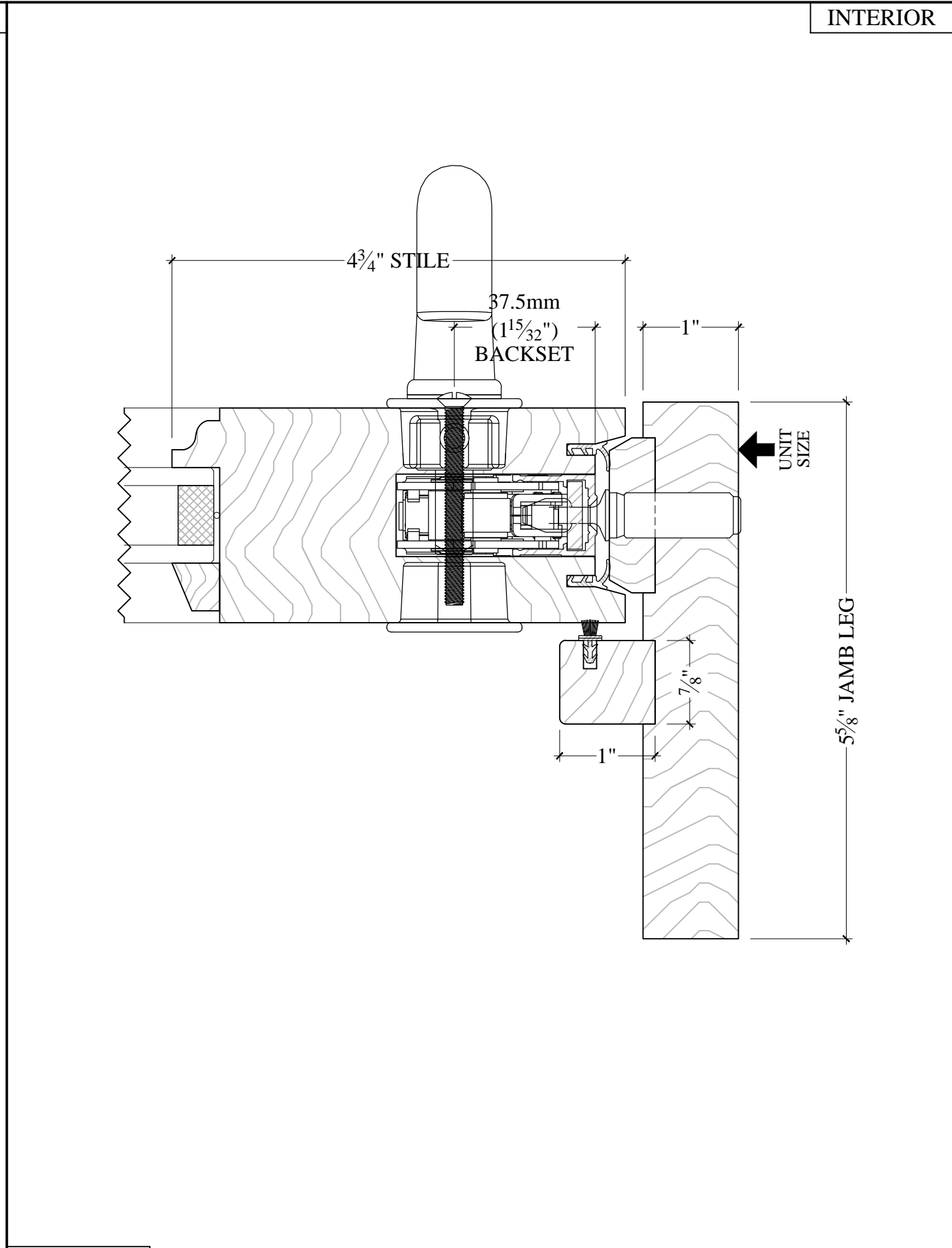
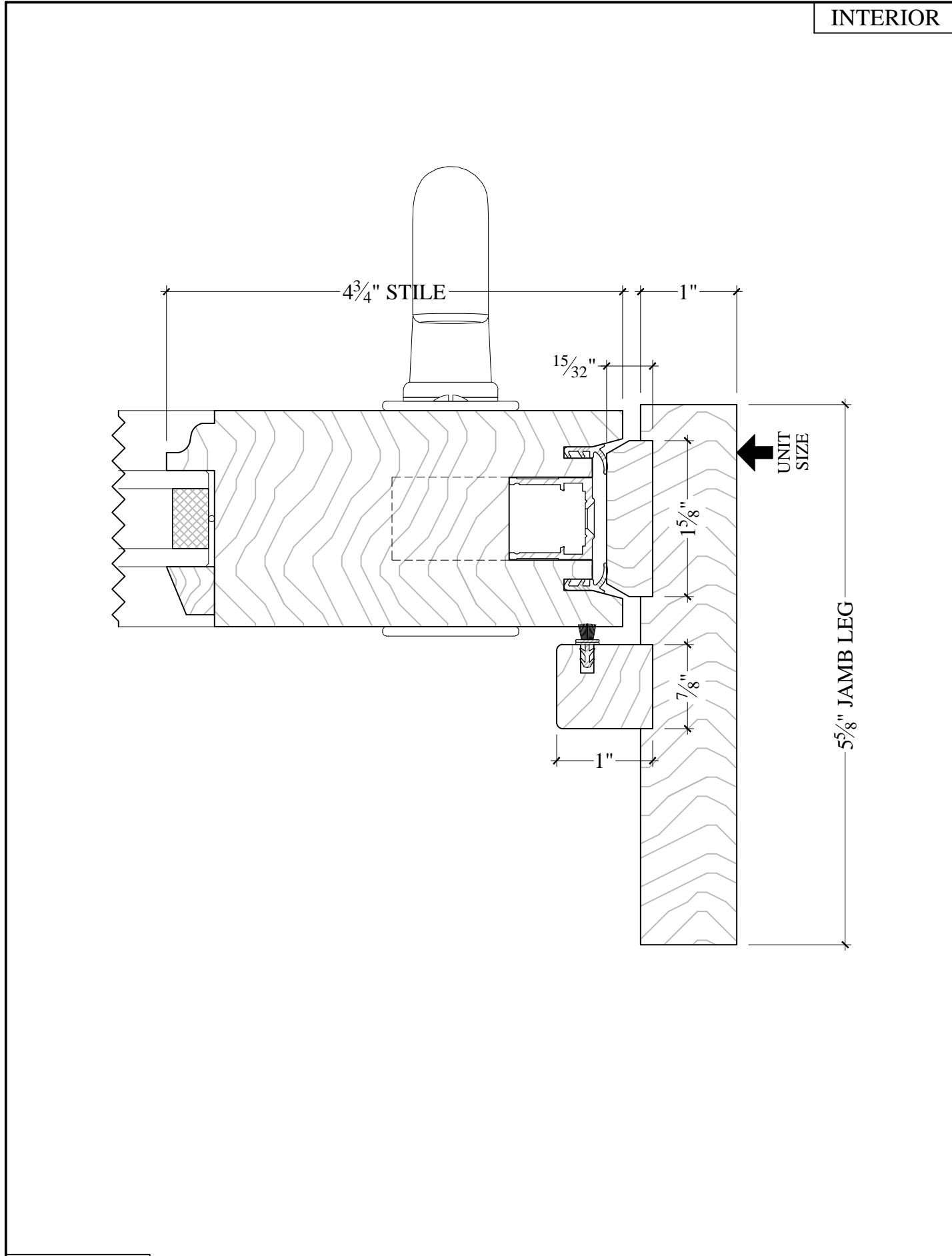
JOB #: **L&S.XO.214.2.G12.BEV**

WOODEN WINDOW

849 29th Street, Oakland, CA 94608
 ph: 5108931157, fax: 5108343662
 www.woodenwindow.com

ED-102

SHEET



14A JAMB LEG SECTION DETAIL SCALE: 1:3/4

14B JAMB LEG SECTION DETAIL - AT DRIVE GEAR SCALE: 1:3/4

WOODEN WINDOW
WINDOW

849 29th Street, Oakland, CA 94608
ph: 5108931157, fax: 5108343662
www.woodenwindow.com

CUSTOMER: **WOODEN WINDOW, INC.**
JOB NAME: **WW PRODUCT**
JOB #: **L&S.XO.214.2.G12.BEV**

SUBMITTAL REVIEW
 APPROVED AS IS APPROVED WITH
 REVISE & RESUBMIT NOTED CHANGES
BY SIGNING THIS STAMP, I (THE CUSTOMER) VERIFY THAT I HAVE CHECKED THE DRAWING FOR ACCURACY AND UNDERSTAND THE CONTENTS AND ACCEPT FULL RESPONSIBILITY FOR THE NOTED ITEMS. I UNDERSTAND THAT WOODEN WINDOW, INC. WILL SUPPLY THE PRODUCTS AS NOTED ON THESE PAGES.

DRAWN BY: **TJT**
REVIEWED: **MC**
INITIAL: **01 / 06 / 17**

ED-103

SIGNATURE _____ DATE _____
PRODUCTION: _____

SHEET